

**RGB / Monochromatic:** Management through:

- DMX 512 controllers & converters 0-10V or 1-10V or simple push buttons.
- Wireless IR & RF control units.
- DALI Protocol devices.
- 800kg max static weight resistance

**Specifications**

- DMX digitally addressable through DMX coder.
- Power connection: 3 core cable.
- Data connection: 5 core cable.
- User can step on the luminaires.



Code	No.LED	Colour*	Watt	Luminous Flux (LM)	Voltage	∠**	IP
------	--------	---------	------	--------------------	---------	-----	----

*RGB (in one chip)*

<b>LGR.110</b>	12	RGB	42W	1000	230VAC	20°	IP65
----------------	----	-----	-----	------	--------	-----	------

\*Available in other colours upon request

*MONOCHROMATIC*

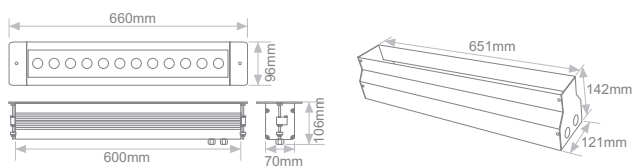
<b>LGR.112</b>	12	COOL WHITE	15W	600	230VAC	25°x6°	IP65
<b>LGR.111</b>	12	WARM WHITE	15W	450	230VAC	25°x6°	IP65

\*Available in other colours upon request.

\*\*Available in 15° & 30° upon request.



CDS.218 DMX ENCODER



# NORMA

RGB + RGBW

Exterior Inground, Recessed & Surface 

**RGB/RGBW:** Management through:

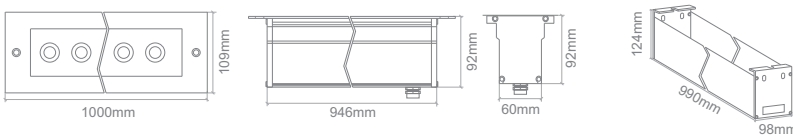
- DMX 512 controllers & converters.
- Wireless IR & RF control units.
- DALI Protocol devices.
- User can step on the luminaires.
- Ideal for urban lighting in city squares, building entrances etc.
- Ceiling or wall installation.
- 800kg max static weight resistance.
- Outdoor installation: IP65.



**CREE** LEDs

Model	Colour	Beam Angle	Watt / Length	Voltage
<b>NORMA 65cm</b> (NORMA 65)	[RGB3] RGB 3in1 [RGBW] RGBW 4in1	[25] 25°	[20W065] 20W / 65cm	[24] 24VDC
<b>NORMA 100cm</b> (NORMA 100)		[40] 40°x10°	[40W100] 40W / 100cm	

Ordering Code Example:  
NORMA 100 - RGBW - 40 - 40W100 - 24



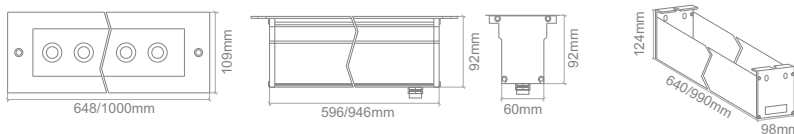
**Monochromatic:** Management through:

- DMX 512 controllers & converters 0-10V or 1-10V or simple push buttons.
- Wireless IR & RF control units.
- DALI Protocol devices.
- User can step on the luminaires.
- Ideal for urban lighting in city squares, building entrances etc.
- Ceiling or wall installation.
- 800kg max static weight resistance.
- Outdoor installation: IP65.



Model	Colour Temperature	Colour Rendering	Beam Angle	Watt / Length	Voltage
<b>NORMA 100cm</b> (NORMA 100)	(27) 2700K	(80) ≥ 80	(10) 10°	[40W100] 40W / 100cm	24VDC (24)
	(30) 3000K		(25) 25°		
(40) 4000K	(45) 45°				
(56) 5600K	(40) 10°x40°				
<b>NORMA 65cm</b> (NORMA 65)			[20W065] 20W / 65cm		

Ordering Code Example:  
NORMA 100 - 40 - 80 - 25 - 40W100 - 24



# PAVO PLUS + PAVO SLIM

## Monochromatic

Exterior Inground, Recessed & Surface 

### Monochromatic: Management through:

- DMX 512 controllers & converters 0-10V or 1-10V or simple push buttons.
- Wireless IR & RF control units.
- DALI Protocol devices.
- Elegant linear inground luminaires.
- User can step on the luminaires.
- Ideal for urban lighting in city squares, building entrances etc.
- Ceiling or wall installation.
- 800kg max static weight resistance.
- Outdoor installation: IP65.
- L70 50.000h



### CCT options



2.700K CRI 80+



3.000K CRI 80+



4.000K CRI 80+



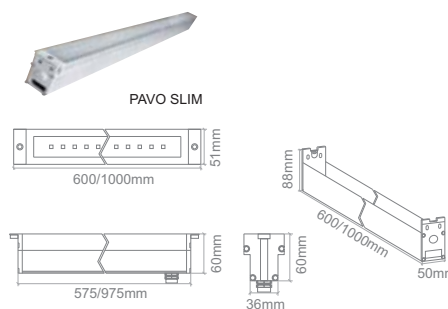
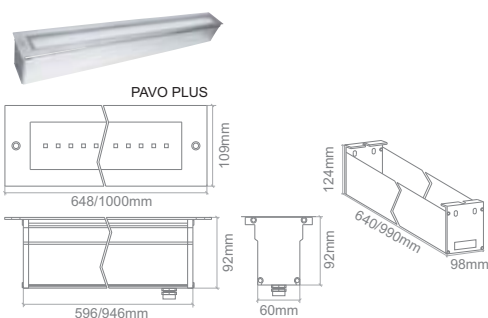
5.600K CRI 80+

LIGHTSOURCE BY  
**NICHIA**

Model	Colour Temperature	Colour Rendering	Type	Watt / Length	Voltage
<b>PAVO PLUS</b> (PAVO PLUS)	(27) 2700K	(80) ≥ 80	(TR) Transparent	(11W064) 11.8W / 64.8cm	24VDC (24)
	(30) 3000K		(ML) Milky	(18W100) 18.4W / 100cm	
	(40) 4000K				
	(56) 5600K				
<b>PAVO SLIM</b> (PAVO SLIM)	(27) 2700K	(80) ≥ 80	(TR) Transparent	(10W060) 10.5W / 60cm	24VDC (24)
	(30) 3000K		(ML) Milky	(19W100) 19.6W / 100cm	
	(40) 4000K				
	(56) 5600K				

Ordering Code Example:

PAVO SLIM - 40 - 80 - ML - 19W100 - 24



# PAVO PLUS + PAVO SLIM

RGB + RGBW

**RGB:** Management through:

- DMX 512 controllers.
- Wireless IR & RF control units.
- DALI Protocol devices.
- Elegant linear inground luminaires.
- User can step on the luminaires
- Ideal for urban lighting in city squares, building entrances etc.
- Ceiling or wall installation
- 800kg max static weight resistance



Code	Type	Colour*	Watt	Dimensions	Voltage	IP
------	------	---------	------	------------	---------	----

*PAVO PLUS RGB (in one chip)*

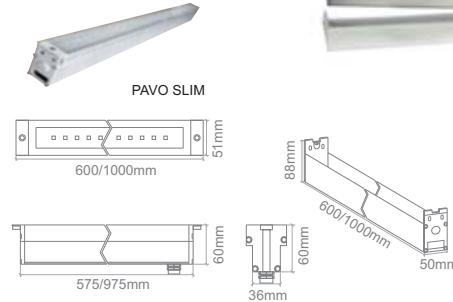
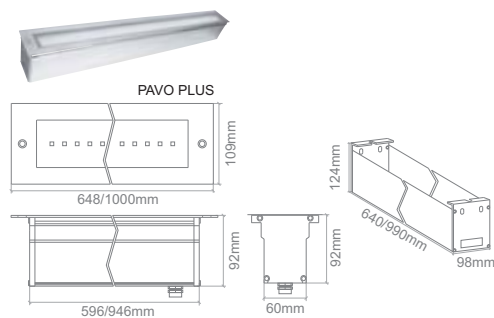
<b>LGR.027</b>	TRANSPARENT	RGB	18W	1000x92x109mm	24VDC	IP65
<b>LGR.028</b>	TRANSPARENT	RGB	11W	648x92x109mm	24VDC	IP65
<b>LGR.029</b>	MILKY	RGB	18W	1000x92x109mm	24VDC	IP65
<b>LGR.030</b>	MILKY	RGB	11W	648x92x109mm	24VDC	IP65

\*Available in other colours & RGBW upon request

*PAVO SLIM RGB (in one chip)*

<b>LGR.021</b>	TRANSPARENT	RGB	18W	1000x60x51mm	24VDC	IP65
<b>LGR.022</b>	TRANSPARENT	RGB	11W	600x60x51mm	24VDC	IP65
<b>LGR.023</b>	SEMI-TRANSPARENT	RGB	18W	1000x60x51mm	24VDC	IP65
<b>LGR.024</b>	SEMI-TRANSPARENT	RGB	11W	600x60x51mm	24VDC	IP65
<b>LGR.025</b>	MILKY	RGB	18W	1000x60x51mm	24VDC	IP65
<b>LGR.026</b>	MILKY	RGB	11W	600x60x51mm	24VDC	IP65

\*Available in other colours & RGBW upon request



# INGRA IP67

Exterior Inground, Recessed & Surface 

**Monochromatic:** Management through:

- DMX 512 controllers & converters 0-10V or 1-10V or simple push buttons.
- Wireless IR & RF control units.
- DALI Protocol devices.
- INGRA Linear LED ideal for outdoor installations.
- Supplied with single waterproof cable & connector as standard.
- Possibility for in-out cables & connectors upon request as extra.
- L70 50.000h
- IP67



One outdoor cable and IP connector (as standard)



LIGHTSOURCE BY  
**NICHIA**

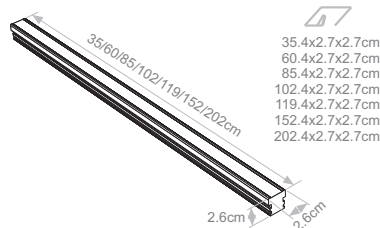
Model	Luminaire Colour	Colour Temperature	Type	Watt / Length	Voltage
<b>INGRA</b> (INGRA)	Non-Anodized (NA)	<i>(WW)</i> Warm White <i>(NW)</i> Neutral White <i>(CW)</i> Cool White	<i>(ML)</i> Milky	<i>(07W035)</i> 7W / 35cm	24VDC (24)
				<i>(12W060)</i> 12.2W / 60cm	
				<i>(17W085)</i> 17.5W / 85cm	
				<i>(21W102)</i> 21W / 102cm	
				<i>(24W119)</i> 24.5W / 119cm	
				<i>(31W152)</i> 31.5W / 152cm	
				<i>(42W202)</i> 42W / 202cm	

Ordering Code Example:

INGRA - NA - CW - ML - 31W152 - 24

**Available upon request:**

- ✓ Custom dimensions
- ✓ Custom luminaire colours
- ✓ Emergency version



**Monochromatic:** Management through:

- DMX 512 controllers & converters 0-10V or 1-10V or simple push buttons.
- Wireless IR & RF control units.
- DALI Protocol devices.
- INGRA MINI Linear LED ideal for outdoor installations.
- Supplied with single waterproof cable & connector as standard.
- Possibility for in-out cables & connectors upon request as extra.
- L70 50.000h
- IP67



One outdoor cable and IP connector (as standard)



Model	Luminaire Colour	Colour Temperature	Type	Watt / Length	Voltage
<b>INGRA MINI</b> <i>(INGRA MINI)</i>	Non-Anodized <i>(NA)</i>	<i>(WW)</i> Warm White <i>(NW)</i> Neutral White <i>(CW)</i> Cool White	<i>(ML)</i> Milky	<i>(07W035)</i> 7W / 35cm	24VDC <i>(24)</i>
				<i>(12W060)</i> 12.2W / 60cm	
				<i>(17W085)</i> 17.5W / 85cm	
				<i>(21W102)</i> 21W / 102cm	
				<i>(24W119)</i> 24.5W / 119cm	
				<i>(31W152)</i> 31.5W / 152cm	
				<i>(42W202)</i> 42W / 202cm	

Ordering Code Example:

INGRA MINI - NA - NW - ML - 42W202 - 24

**Available upon request:**

- ✓ Custom dimensions
- ✓ Custom luminaire colours
- ✓ Emergency version

