

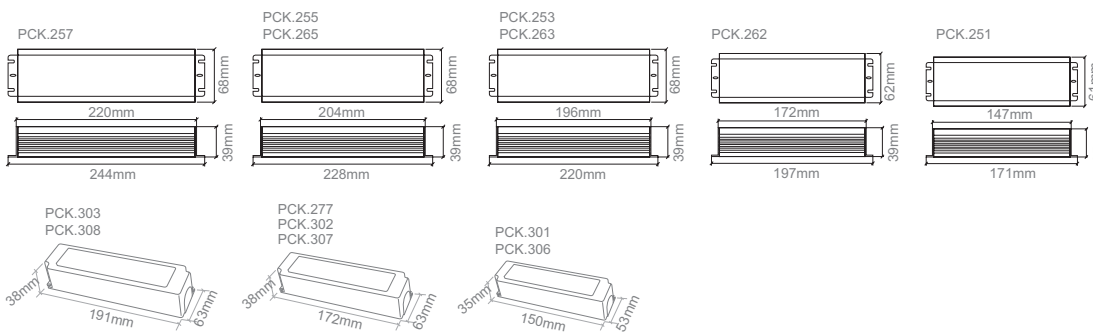


1 channel HIGH IP RATED DIMMABLE 1/10V POWER SUPPLIES CONSTANT VOLTAGE

- Full range Universal AC inputs.
- Built in PFC function.
- Built in 3 in one dimming function. 0-10VDC or 1-10VDC or PWM or Resistance.
- Protections: Short circuit - over current - over voltage - over temperature.
- IP67



Code	Model	DC Voltage	Rated Current	Rated Power	Input Voltage Range	Dimming Control	Frequency Range	IP
<u>24VDC</u>								
PCK.251	HLG-60H-24B	24VDC	2.5A	60W	90-305VAC	1-10VDC or 10V PWM or resistance	47-63HZ	IP67
PCK.253	HLG-100H-24B	24VDC	4A	96W	90-305VAC		47-63HZ	IP67
PCK.255	HLG-150H-24B	24VDC	6.3A	150W	90-305VAC		47-63HZ	IP67
PCK.257	HLG-240H-24B	24VDC	10A	240W	90-305VAC		47-63HZ	IP67
PCK.301	PWM-60-24	24VDC	2.5A	60W	90-305VAC	0-10VDC or PWM or resistance	47-63HZ	IP67
PCK.302	PWM-90-24	24VDC	3.75A	90W	90-305VAC		47-63HZ	IP67
PCK.303	PWM-120-24	24VDC	5A	120W	90-305VAC		47-63HZ	IP67
<u>12VDC</u>								
PCK.262	HLG-80H-12B	12VDC	5A	60W	90-305VAC	1-10VDC or 10V PWM or resistance	47-63HZ	IP67
PCK.263	HLG-120H-12B	12VDC	10A	120W	90-305VAC		47-63HZ	IP67
PCK.265	HLG-150H-12B	12VDC	12.5A	150W	90-305VAC		47-63HZ	IP67
PCK.306	PWM-60-12	12VDC	5A	60W	90-305VAC	0-10VDC or PWM or resistance	47-63HZ	IP67
PCK.307	PWM-90-12	12VDC	7.5A	90W	90-305VAC		47-63HZ	IP67
PCK.308	PWM-120-12	12VDC	10A	120W	90-305VAC		47-63HZ	IP67





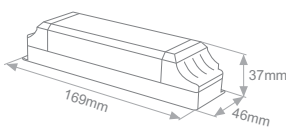
1 channel LED POWER SUPPLIES CONSTANT VOLTAGE

- LED power supply series of low wattage.
- For indoor use.
- Cooling by free air convection.

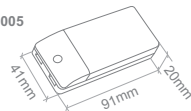


Code	Power Supply	Operating Voltage	Output Voltage	Max. Watt	LED Operation
24VDC					
PCK.005	PACK	230VAC	24VDC	12W	MONOCHROMATIC
12VDC					
PCK.007	PACK	230VAC	12VDC	24W	MONOCHROMATIC
PCK.003	PACK	230VAC	12VDC	50W	MONOCHROMATIC

PCK.007
PCK.003



PCK.005



1 channel

HIGH IP RATED LED POWER SUPPLIES

CONSTANT VOLTAGE

- Power Supplies with fully isolated case
- IP64, IP65, IP67.
- Full range Universal AC inputs
- Cooling by free air convection
- Protections: Short circuit - overload - over voltage



Code	Model	DC Voltage	Rated Current	Rated Power	Input Voltage Range	Frequency Range	IP
24VDC							
PCK.150	ELN-60-24	24VDC	2.5A	60W	100-240VAC	50/60HZ	IP64
PCK.151	CLG-150-24A	24VDC	6.3A	150W	100-240VAC	50/60HZ	IP65
PCK.152	HLG-240-24A	24VDC	10A	240W	100-240VAC	50/60HZ	IP65
PCK.153	LPH-18-24	24VDC	0.75A	18W	200-240VAC	50/60HZ	IP67
PCK.154	LPV-60-24	24VDC	2.5A	60W	100-240VAC	50/60HZ	IP67
PCK.155	LPV-35-24	24VDC	1.5A	36W	100-240VAC	50/60HZ	IP67
PCK.156	LPV-100-24	24VDC	4.2A	100W	100-240VAC	50/60HZ	IP67
PCK.157	HLG-320H-24A	24VDC	13.34A	320W	100-240VAC	50/60HZ	IP67
PCK.158	LPV-150-24	24VDC	6.3A	150W	180-305VAC	50/60HZ	IP67
12VDC							
PCK.160	ELN-60-12	12VDC	5A	60W	100-240VAC	50/60HZ	IP64
PCK.161	CLG-150-12A	12VDC	11A	130W	100-240VAC	50/60HZ	IP65
PCK.162	HLG-240-12A	12VDC	16A	192W	100-240VAC	50/60HZ	IP65
PCK.163	LPH-18-12	12VDC	1.5A	18W	200-240VAC	50/60HZ	IP67
PCK.164	LPV-20-12	12VDC	1.67A	20W	100-240VAC	50/60HZ	IP67
PCK.165	LPV-60-12	12VDC	5A	60W	100-240VAC	50/60HZ	IP67
PCK.166	LPV-35-12	12VDC	3A	36W	100-240VAC	50/60HZ	IP67
PCK.167	LPV-100-12	12VDC	8.5A	100W	100-240VAC	50/60HZ	IP67
PCK.168	HLG-320H-12A	12VDC	22A	264W	100-240VAC	50/60HZ	IP67
PCK.169	LPV-150-12	12VDC	10A	120W	180-305VAC	50/60HZ	IP67
5VDC							
PCK.170	ELN-30-5	5VDC	5A	25W	100-240VAC	50/60HZ	IP64
PCK.174	LPV-20-5	5VDC	3A	15W	100-240VAC	50/60HZ	IP67
PCK.171	LPV-100-5	5VDC	12A	60W	100-240VAC	50/60HZ	IP67
PCK.207	LPV-60-5	5VDC	8A	40W	100-240VAC	50/60HZ	IP67

