

HAZEL

Interior Spot Lights 

- Track lights ideal for retail and museum lighting.
- High purity aluminium.
- Adjustable 320° on the horizontal plane & 100° on the vertical plane.
- White or black colour of fittings.
- 3 circuit track adaptor.
- 2-3 SDCM
- L70/B50 - 50.000h



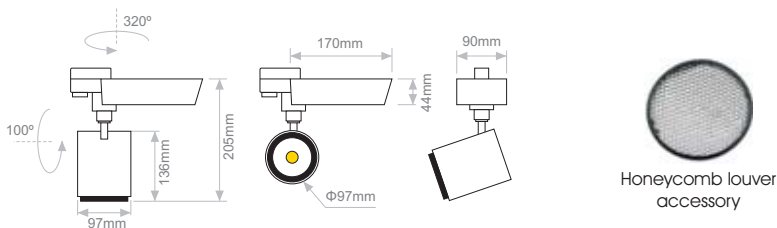
LIGHTSOURCE BY
bridgelux

Model (LED Power)	Colour Temperature*	LED Lumen	Type	CRI	Beam Angle	Colour	Dimming Option	Accessories
HAZEL 16.5W (HAZEL 16)	(27B2379)	2700K - 2379lm	Adjustable (AD)	(80) 80	(25) 25° (40) 40° (60) 60°	(WH) White (BL) Black	(ND) Non-Dimmable (PC) Phase Cut (Trailing Edge Dimmer)	COVER (0X) Standard (2X) Honeycomb ↓ (XX) EXTRAS (X0) No Extras
	(30B2489)	3000K - 2489lm						
	(40B2576)	4000K - 2576lm						
	(57B2700)	5700K - 2700lm						
HAZEL 16.5W (HAZEL 16)	(27B1982)	2700K - 1982lm	Adjustable (AD)	(90) 90	(25) 25° (40) 40° (60) 60°	(WH) White (BL) Black	(ND) Non-Dimmable (PC) Phase Cut (Trailing Edge Dimmer)	COVER (0X) Standard (2X) Honeycomb ↓ (XX) EXTRAS (X0) No Extras
	(30B2056)	3000K - 2056lm						
	(40B2205)	4000K - 2205lm						
HAZEL 16.7W (HAZEL 16)	(27B1809)	2700K - 1809lm	Adjustable (AD)	(97) 97	(25) 25° (40) 40° (60) 60°	(WH) White (BL) Black	(ND) Non-Dimmable (PC) Phase Cut (Trailing Edge Dimmer)	COVER (0X) Standard (2X) Honeycomb ↓ (XX) EXTRAS (X0) No Extras
	(30B1926)	3000K - 1926lm						

* Available in 3500K, 5000K, and 6500K upon request.

Ordering Code Example:

HAZEL 16 - 30B2056 - AD - 90 - 40 - BL - PC - 20



Honeycomb louver
accessory

HAZEL MAX

Interior Spot Lights 

- Track lights ideal for retail and museum lighting.
- High purity aluminium.
- Adjustable 320° on the horizontal plane & 100° on the vertical plane.
- White or black colour of fittings.
- 3 circuit track adaptor.
- 2-3 SDCM
- L70/B50 - 50.000h



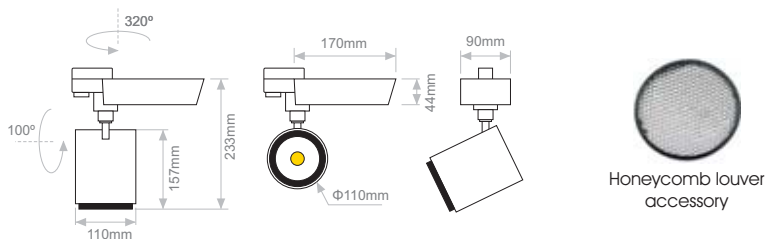
LIGHTSOURCE BY
bridgelux

Model (LED Power)	Colour Temperature*	LED Lumen	Type	CRI	Beam Angle	Colour	Dimming Option	Accessories
HAZEL MAX 30.7W (HAZEL MAX 30)	(27B4143)	2700K - 4143lm	Adjustable (AD)	(80) 80	(25) 25° (45) 45° (70) 70°	(WH) White (BL) Black	(ND) Non-Dimmable (PC) Phase Cut (Trailing Edge Dimmer)	COVER (0x) Standard (2x) Honeycomb ↓ (XX) ↑ EXTRAS (x0) No Extras
	(30B4335)	3000K - 4335lm						
	(40B4489)	4000K - 4489lm						
	(57B4704)	5700K - 4704lm						
HAZEL MAX 30.7W (HAZEL MAX 30)	(27B3452)	2700K - 3452lm	Adjustable (AD)	(90) 90	(25) 25° (45) 45° (70) 70°	(WH) White (BL) Black	(ND) Non-Dimmable (PC) Phase Cut (Trailing Edge Dimmer)	COVER (0x) Standard (2x) Honeycomb ↓ (XX) ↑ EXTRAS (x0) No Extras
	(30B3582)	3000K - 3582lm						
	(40B3841)	4000K - 3841lm						
HAZEL MAX 31.3W (HAZEL MAX 30)	(27B3048)	2700K - 3048lm	Adjustable (AD)	(97) 97	(25) 25° (45) 45° (70) 70°	(WH) White (BL) Black	(ND) Non-Dimmable (PC) Phase Cut (Trailing Edge Dimmer)	COVER (0x) Standard (2x) Honeycomb ↓ (XX) ↑ EXTRAS (x0) No Extras
	(30B3245)	3000K - 3245lm						

* Available in 3500K, 5000K, and 6500K upon request.

Ordering Code Example:

HAZEL MAX 30 - 30B4335 - AD - 80 - 70 - BL - PC - 20



Honeycomb louver
accessory

- Track lights ideal for retail and museum lighting.
- High purity aluminium.
- Adjustable 320° on the horizontal plane & 100° on the vertical plane.
- White or black colour of fittings.
- 3 circuit track adaptor.
- L70/B50 - 50.000h

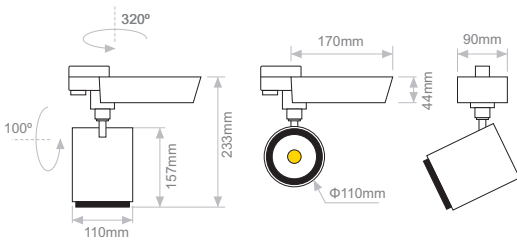


Warm Dimming **3000K to 1800K**

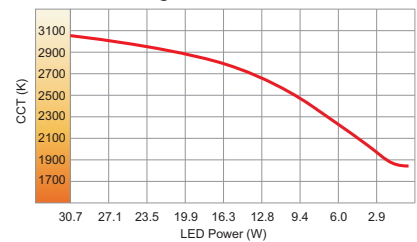


Model (Led Power)	Colour Temperature	LED Lumen	Type	CRI	Beam Angle	Colour	Dimming Option	Accessories
HAZEL MAX WD 30.7W (HAZEL MAX WD30)	(1830B2840) 1800K-3000K	2840lm	(AD) Adjustable	(95) 95	(17) 17° (40) 40° (60) 60°	(WH) White (BL) Black	(PC) Phase Cut (Trailing Edge Dimmer)	COVER (0X) Standard (2X) Honeycomb ↓ (XX) EXTRAS (X0) No Extras

Ordering Code Example:
HAZEL MAX WD30 - 1830B2840 - AD - 95 - 60 - BL - PC - 20



Warm dimming 3000K to 1800K



KARIN

Interior Spot Lights 

- Track lights ideal for retail and museum lighting.
- High purity aluminium.
- Adjustable 320° on the horizontal plane & 145° on the vertical plane.
- White or black colour of fittings.
- 3 circuit track adaptor.
- 2-3 SDCM
- L70/B50 - 50.000h



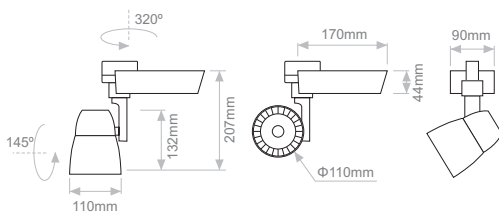
LIGHTSOURCE BY
bridgelux.

Model (LED Power)	Colour Temperature*	LED Lumen	Type	CRI	Beam Angle	Colour	Dimming Option	Accessories
KARIN 16.5W (KARIN 16)	(27B2379)	2700K - 2379lm	Adjustable (AD)	(80) 80	(30) 30° (45) 45° (55) 55°	(WH) White (BL) Black	(ND) Non-Dimmable (PC) Phase Cut (Trailing Edge Dimmer)	COVER (0X) Standard (2X) Honeycomb ↓ (XX) EXTRAS (X0) No Extras
	(30B2489)	3000K - 2489lm						
	(40B2576)	4000K - 2576lm						
	(57B2700)	5700K - 2700lm						
KARIN 16.5W (KARIN 16)	(27B1982)	2700K - 1982lm	Adjustable (AD)	(90) 90	(30) 30° (45) 45° (55) 55°	(WH) White (BL) Black	(ND) Non-Dimmable (PC) Phase Cut (Trailing Edge Dimmer)	COVER (0X) Standard (2X) Honeycomb ↓ (XX) EXTRAS (X0) No Extras
	(30B2056)	3000K - 2056lm						
	(40B2205)	4000K - 2205lm						
KARIN 16.7W (KARIN 16)	(27B1809)	2700K - 1809lm	Adjustable (AD)	(97) 97	(30) 30° (45) 45° (55) 55°	(WH) White (BL) Black	(ND) Non-Dimmable (PC) Phase Cut (Trailing Edge Dimmer)	COVER (0X) Standard (2X) Honeycomb ↓ (XX) EXTRAS (X0) No Extras
	(30B1926)	3000K - 1926lm						

* Available in 3500K, 5000K, and 6500K upon request.

Ordering Code Example:

KARIN 16 - 30B2056 - AD - 90 - 55 - BL - PC - 20



KARIN MAX

Interior Spot Lights 

- Track lights ideal for retail and museum lighting.
- High purity aluminium.
- Adjustable 320° on the horizontal plane & 145° on the vertical plane.
- White or black colour of fittings.
- 3 circuit track adaptor.
- 2-3 SDCM
- L70/B50 - 50.000h



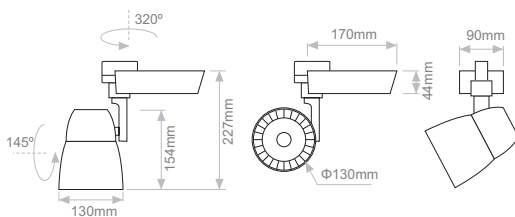
LIGHTSOURCE BY
bridgelux

Model (LED Power)	Colour Temperature*	LED Lumen	Type	CRI	Beam Angle	Colour	Dimming Option	Accessories
KARIN MAX 30.7W (KARIN MAX 30)	(27B4143)	2700K - 4143lm	(AD) Adjustable	(80) 80	(25) 25° (45) 45° (70) 70°	(WH) White (BL) Black	(ND) Non-Dimmable (PC) Phase Cut (Trailing Edge Dimmer)	COVER (0X) Standard (2X) Honeycomb ↓ (XX) EXTRAS (X0) No Extras
	(30B4335)	3000K - 4335lm						
	(40B4489)	4000K - 4489lm						
	(57B4704)	5700K - 4704lm						
KARIN MAX 30.7W (KARIN MAX 30)	(27B3452)	2700K - 3452lm	(90) 90	(97) 97	(97) 97	(WH) White (BL) Black	(ND) Non-Dimmable (PC) Phase Cut (Trailing Edge Dimmer)	COVER (0X) Standard (2X) Honeycomb ↓ (XX) EXTRAS (X0) No Extras
	(30B3582)	3000K - 3582lm						
	(40B3841)	4000K - 3841lm						
KARIN MAX 31.3W (KARIN MAX 30)	(27B3048)	2700K - 3048lm	(97) 97	(97) 97	(97) 97	(WH) White (BL) Black	(ND) Non-Dimmable (PC) Phase Cut (Trailing Edge Dimmer)	COVER (0X) Standard (2X) Honeycomb ↓ (XX) EXTRAS (X0) No Extras
	(30B3245)	3000K - 3245lm						

* Available in 3500K, 5000K, and 6500K upon request.

Ordering Code Example:

KARIN MAX 30 - 30B4335 - AD - 80 - 70 - BL - PC - 20



- Track lights ideal for retail and museum lighting.
- High purity aluminium.
- Adjustable 320° on the horizontal plane & 145° on the vertical plane.
- White or black colour of fittings.
- 3 circuit track adaptor.
- L70/B50 - 50.000h

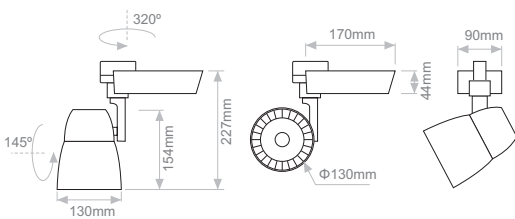


Warm Dimming **3000K to 1800K**

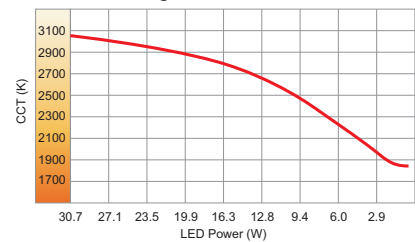


Model (Led Power)	Colour Temperature	LED Lumen	Type	CRI	Beam Angle	Colour	Dimming Option	Accessories
KARIN MAX WD 30.7W (KARIN MAX WD30)	(1830B2840) 1800K-3000K	2840lm	(AD) Adjustable	(95) 95	(17) 17° (25) 25° (40) 40° (60) 60°	(WH) White (BL) Black	(PC) Phase Cut (Trailing Edge Dimmer)	COVER (0X) Standard (2X) Honeycomb ↓ (XX) EXTRAS (X0) No Extras

Ordering Code Example:
KARIN MAX WD30 - 1830B2840 - AD - 95 - 60 - BL - PC - 20



Warm dimming 3000K to 1800K



DEDALOS

Interior Spot Lights 

- High efficiency deep reflector with clear cover glass.
- Track light ideal for retail lighting.
- 320° adjustable on the horizontal plane & 230° on the vertical plane.
- 2-3 SDCM
- L70/B50 - 50.000h



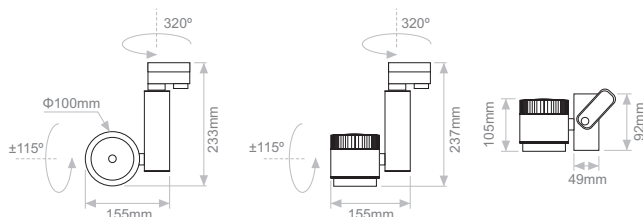
LIGHTSOURCE BY
bridgelux.

Model (LED Power)	Colour Temperature* - LED Lumen	Type	CRI	Beam Angle	Colour	Dimming Option	Accessories
DEDALOS 12.2W (DEDALOS 12)	(27B1575) 2700K - 1575lm	(AD) Adjustable	(80) 80				COVER <input type="checkbox"/> Standard <input type="checkbox"/> Diffuser <input type="checkbox"/> Honey Comb <input type="checkbox"/> (XX) EXTRAS <input type="checkbox"/> No Extras
	(30B1657) 3000K - 1657lm						
	(40B1706) 4000K - 1706lm						
	(57B1788) 5700K - 1788lm						
DEDALOS 17.1W (DEDALOS 17)	(27B2382) 2700K - 2382lm	(AD) Adjustable	(90) 90				COVER <input type="checkbox"/> Standard <input type="checkbox"/> Diffuser <input type="checkbox"/> Honey Comb <input type="checkbox"/> (XX) EXTRAS <input type="checkbox"/> No Extras
	(30B2481) 3000K - 2481lm						
	(40B2581) 4000K - 2581lm						
	(57B2705) 5700K - 2705lm						
DEDALOS 12.2W (DEDALOS 12)	(27B1313) 2700K - 1313lm	(AD) Adjustable	(90) 90				COVER <input type="checkbox"/> Standard <input type="checkbox"/> Diffuser <input type="checkbox"/> Honey Comb <input type="checkbox"/> (XX) EXTRAS <input type="checkbox"/> No Extras
	(30B1362) 3000K - 1362lm						
	(40B1460) 4000K - 1460lm						
DEDALOS 17.1W (DEDALOS 17)	(27B1985) 2700K - 1985lm	(AD) Adjustable	(90) 90				COVER <input type="checkbox"/> Standard <input type="checkbox"/> Diffuser <input type="checkbox"/> Honey Comb <input type="checkbox"/> (XX) EXTRAS <input type="checkbox"/> No Extras
	(30B2060) 3000K - 2060lm						
	(40B2209) 4000K - 2209lm						
DEDALOS 12.5W (DEDALOS 12)	(27B1121) 2700K - 1121lm	(AD) Adjustable	(97) 97				COVER <input type="checkbox"/> Standard <input type="checkbox"/> Diffuser <input type="checkbox"/> Honey Comb <input type="checkbox"/> (XX) EXTRAS <input type="checkbox"/> No Extras
	(30B1196) 3000K - 1196lm						
DEDALOS 17.5W (DEDALOS 17)	(27B1660) 2700K - 1660lm	(AD) Adjustable	(97) 97				COVER <input type="checkbox"/> Standard <input type="checkbox"/> Diffuser <input type="checkbox"/> Honey Comb <input type="checkbox"/> (XX) EXTRAS <input type="checkbox"/> No Extras
	(30B1783) 3000K - 1783lm						

* Available in 3500K, 5000K and 6500K upon request

Ordering Code Example:

DEDALOS 17 - 30B2060 - AD - 90 - 30 - BL - PC - 00



MINI PROFILE T

Interior Spot Lights 

- Clear cutting edge and sharp gobo image, can create projection effect.
- Lumen output: 420lm
- For indoor use only.
- Weight: 1,7 Kgs
- Ideal to use in Museums, Art Galleries, Retail shops, Hotels etc
- CREE LED
- Bluetooth dimming available upon request.

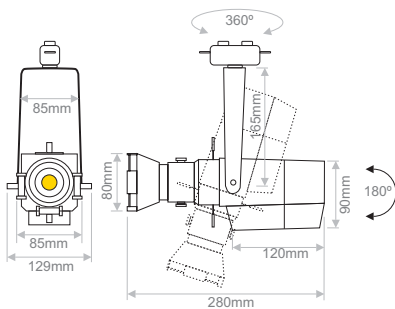


Gel media frame

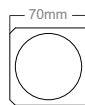


Gobo holder

Code	Model	Colour Temperature	Colour Rendering	Colour	Wattage	Input Voltage	Dimming
THE.054	MINI PROFILE T	3000K	>85	White	13W	120V-240VAC	10% up to 100%



Accessories at additional cost



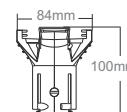
Gel media frame



Gobo holder




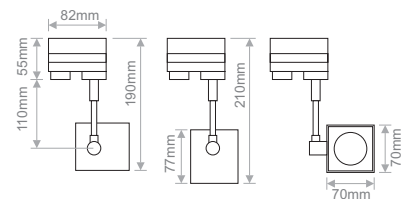
Glare-shield



Lens barrel
LNS.050 Lens 19
LNS.051 Lens 26
LNS.052 Lens 36



Code	Model	Colour	Lamp Holder	Maximum Consumption	Dimensions	Weight	IP	 Not included
ASI.061	RIO L Square	WHITE	GU10	50W	70x70x77mm	0.40kg	IP20	



MANDI SYSTEM

Interior Spot Lights 

- MANDI System trimless for ceiling application.
- High efficiency deep reflector with clear cover glass.
- Emergency version upon request
- MANDI System can be provided with track system upon request.
- 2-3 SDCM
- L70/B50 - 50.000h



LIGHTSOURCE BY
bridgelux

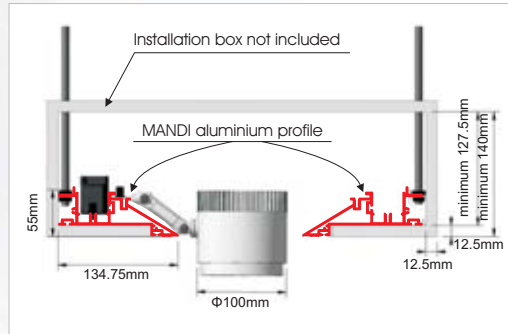
Model (LED Power)	Colour Temperature*	LED Lumen	Type	CRI	Beam Angle	Colour	Dimming Option	Accessories
MANDI 12.2W (MANDI 12)	(27B1575)	2700K - 1575lm	Adjustable	(80) 80				COVER <input type="checkbox"/> Standard <input checked="" type="checkbox"/> Diffuser <input checked="" type="checkbox"/> Honey Comb <input checked="" type="checkbox"/> EXTRAS <input checked="" type="checkbox"/> No Extras <input checked="" type="checkbox"/> Emergency Kit
	(30B1657)	3000K - 1657lm						
	(40B1706)	4000K - 1706lm						
	(57B1788)	5700K - 1788lm						
MANDI 17.1W (MANDI 17)	(27B2382)	2700K - 2382lm	Adjustable	(90) 90				COVER <input type="checkbox"/> Standard <input checked="" type="checkbox"/> Diffuser <input checked="" type="checkbox"/> Honey Comb <input checked="" type="checkbox"/> EXTRAS <input checked="" type="checkbox"/> No Extras <input checked="" type="checkbox"/> Emergency Kit
	(30B2481)	3000K - 2481lm						
	(40B2581)	4000K - 2581lm						
	(57B2705)	5700K - 2705lm						
MANDI 12.2W (MANDI 12)	(27B1313)	2700K - 1313lm	Adjustable	(97) 97		(WH) White (BL) Black		COVER <input type="checkbox"/> Standard <input checked="" type="checkbox"/> Diffuser <input checked="" type="checkbox"/> Honey Comb <input checked="" type="checkbox"/> EXTRAS <input checked="" type="checkbox"/> No Extras <input checked="" type="checkbox"/> Emergency Kit
	(30B1362)	3000K - 1362lm						
	(40B1460)	4000K - 1460lm						
MANDI 17.1W (MANDI 17)	(27B1985)	2700K - 1985lm	Adjustable	(97) 97				COVER <input type="checkbox"/> Standard <input checked="" type="checkbox"/> Diffuser <input checked="" type="checkbox"/> Honey Comb <input checked="" type="checkbox"/> EXTRAS <input checked="" type="checkbox"/> No Extras <input checked="" type="checkbox"/> Emergency Kit
	(30B2060)	3000K - 2060lm						
	(40B2209)	4000K - 2209lm						
MANDI 12.5W (MANDI 12)	(27B1121)	2700K - 1121lm	Adjustable	(97) 97				COVER <input type="checkbox"/> Standard <input checked="" type="checkbox"/> Diffuser <input checked="" type="checkbox"/> Honey Comb <input checked="" type="checkbox"/> EXTRAS <input checked="" type="checkbox"/> No Extras <input checked="" type="checkbox"/> Emergency Kit
	(30B1196)	3000K - 1196lm						
MANDI 17.5W (MANDI 17)	(27B1660)	2700K - 1660lm	Adjustable	(97) 97				COVER <input type="checkbox"/> Standard <input checked="" type="checkbox"/> Diffuser <input checked="" type="checkbox"/> Honey Comb <input checked="" type="checkbox"/> EXTRAS <input checked="" type="checkbox"/> No Extras <input checked="" type="checkbox"/> Emergency Kit
	(30B1783)	3000K - 1783lm						

* Available in 3500K, 5000K and 6500K upon request

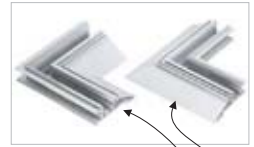
** The wireless dimming option includes driver and Bluetooth dimming accessory.

Ordering Code Example:

MANDI 12 - 40B1460 - AD - 90 - 30 - WH - ND - 10



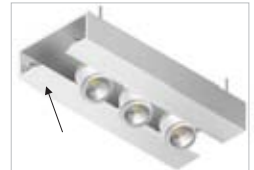
MANDI Aluminium Profile



MANDI Corner Internal Set & External Set 90° Black



MANDI Corner U Type Set Black



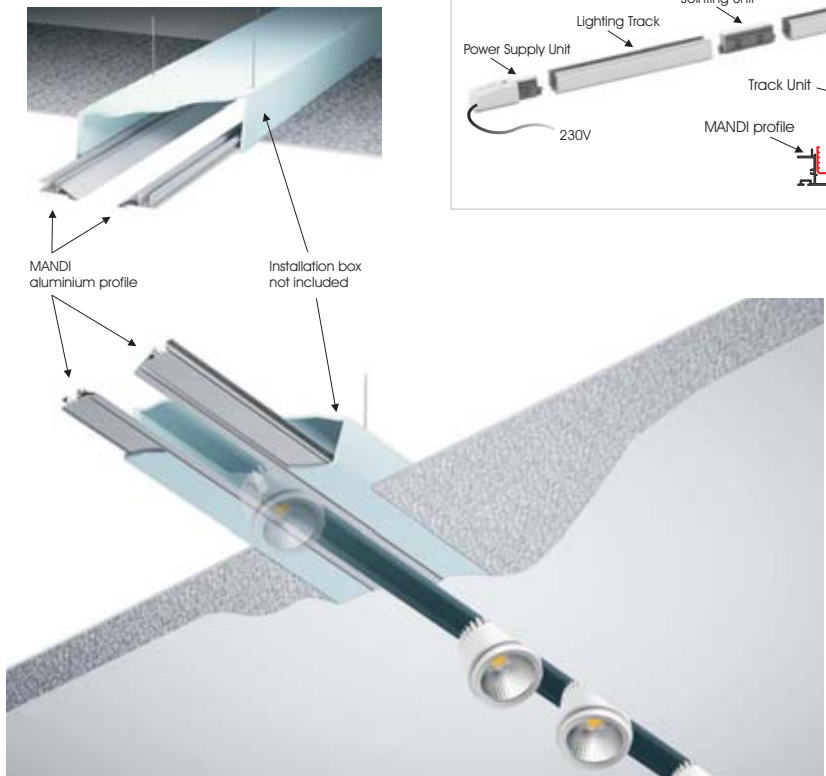
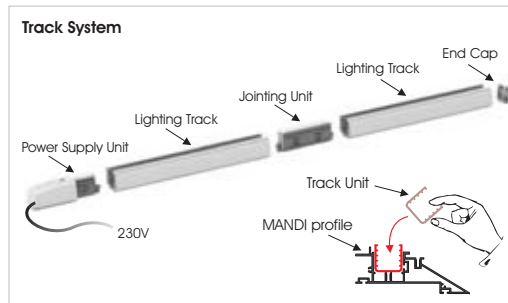
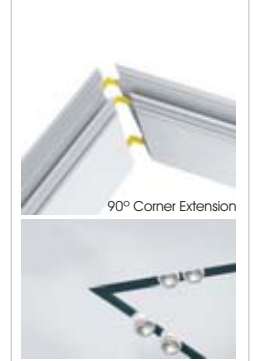
Installation box not included



Extension Line

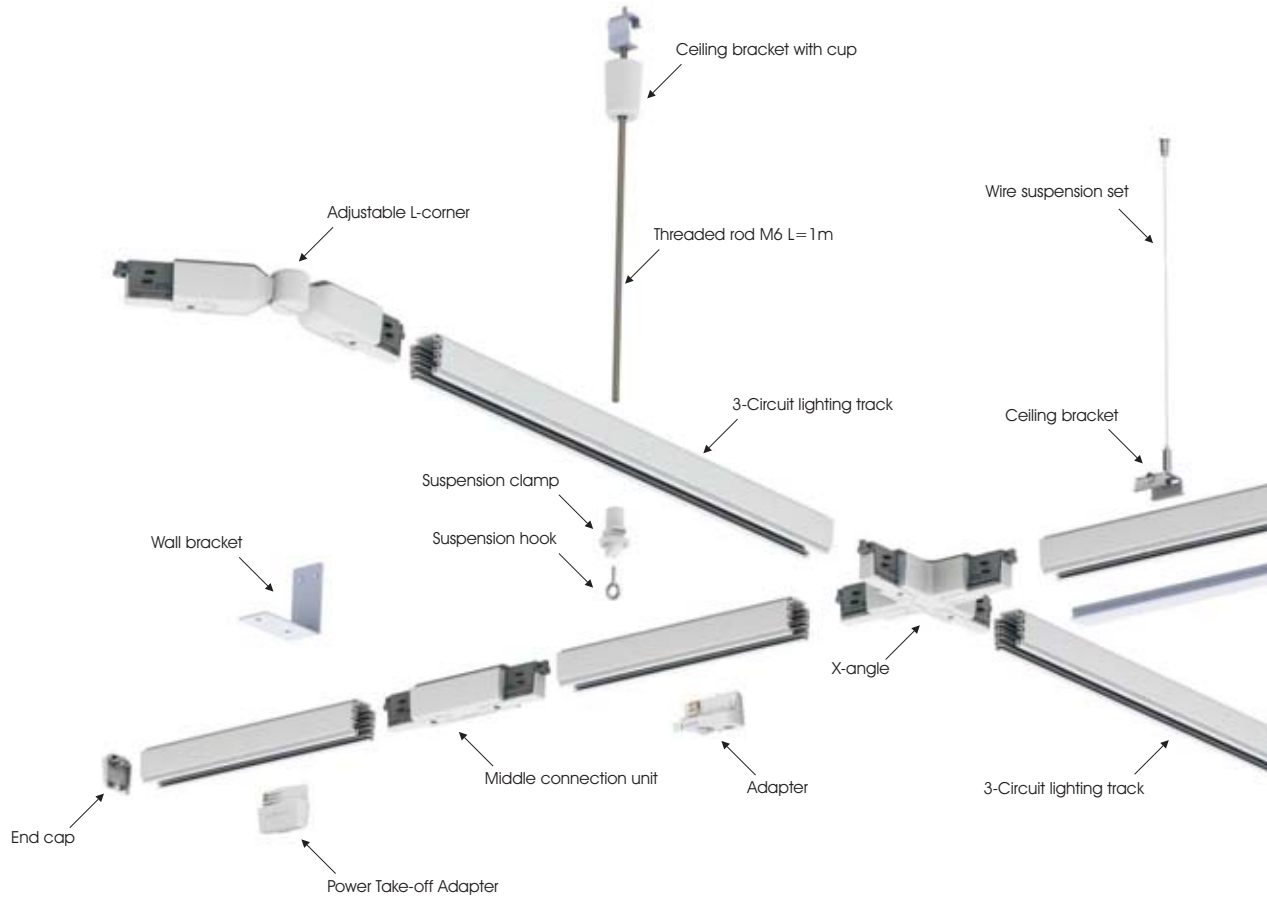


90° Corner Extension

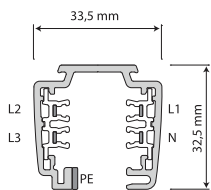


TRACK SYSTEM

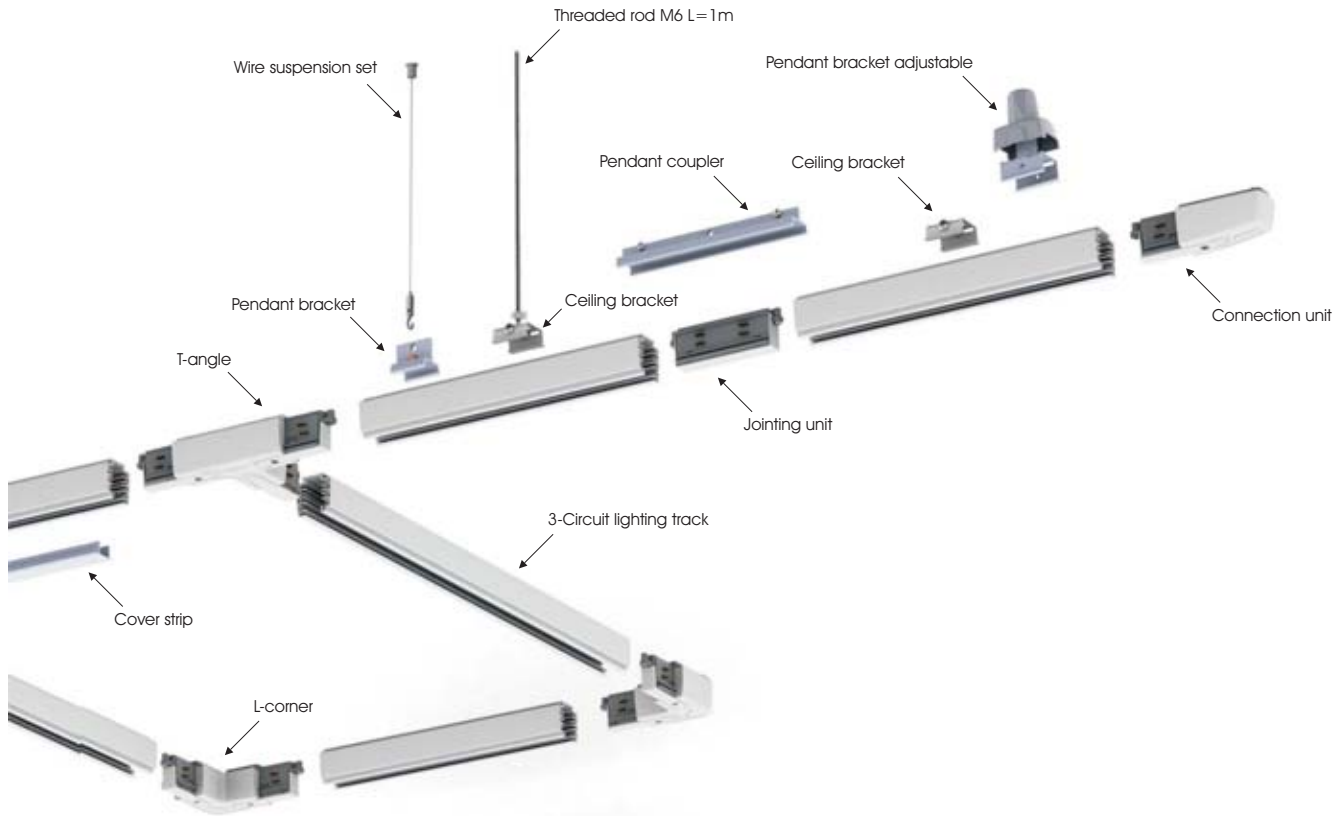
- 3-circuit track system available in white and black colour.
- Available in 3 different lengths.
- Two types available for surface or recessed installation.
- Available accessories in white, black and grey colour.



3-Circuit lighting track

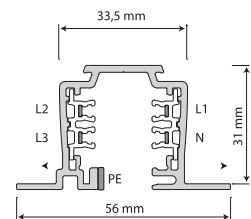


Code	Model	Length	Colour
TRA.001	3-Circuit lighting track	2m	White
TRA.002	3-Circuit lighting track	3m	White
TRA.003	3-Circuit lighting track	4m	White
TRA.004	3-Circuit lighting track	2m	Grey
TRA.005	3-Circuit lighting track	3m	Grey
TRA.006	3-Circuit lighting track	4m	Grey
TRA.007	3-Circuit lighting track	2m	Black
TRA.008	3-Circuit lighting track	3m	Black
TRA.009	3-Circuit lighting track	4m	Black



3-Circuit lighting track, Recessed

Code	Model	Length	Colour
TRA.010	3-Circuit lighting track, Recessed	2m	White
TRA.011	3-Circuit lighting track, Recessed	3m	White
TRA.012	3-Circuit lighting track, Recessed	4m	White
TRA.013	3-Circuit lighting track, Recessed	2m	Grey
TRA.014	3-Circuit lighting track, Recessed	3m	Grey
TRA.015	3-Circuit lighting track, Recessed	4m	Grey
TRA.016	3-Circuit lighting track, Recessed	2m	Black
TRA.017	3-Circuit lighting track, Recessed	3m	Black
TRA.018	3-Circuit lighting track, Recessed	4m	Black



Accessories

Power supply (end feed)

Code	Description	Colour
TRA.031	Connection unit A	White
TRA.032	Connection unit B	White
TRA.033	Connection unit A	Grey
TRA.034	Connection unit B	Grey
TRA.035	Connection unit A	Black
TRA.036	Connection unit B	Black

Middle connection (middle feed)

Code	Description	Colour
TRA.037	Middle connection unit	White
TRA.038	Middle connection unit	Grey
TRA.039	Middle connection unit	Black

Joining (multicolour)

Code	Description	Colour
TRA.040	Joining unit	White, Grey, Black

90° corner (feed)

Code	Description	Colour
TRA.043	L-corner	White
TRA.044	L-corner	Grey
TRA.045	L-corner	Black

Adjustable corner

Code	Description	Colour
TRA.046	Adjustable L-corner	White
TRA.047	Adjustable L-corner	Grey
TRA.048	Adjustable L-corner	Black

T-piece (feed)

Code	Description	Colour
TRA.049	T-angle A	White
TRA.050	T-angle B	White
TRA.051	T-angle C	White
TRA.052	T-angle D	White
TRA.053	T-angle A	Grey
TRA.054	T-angle B	Grey
TRA.055	T-angle C	Grey
TRA.056	T-angle D	Grey
TRA.057	T-angle A	Black
TRA.058	T-angle B	Black
TRA.059	T-angle C	Black
TRA.060	T-angle D	Black

X-piece (feed)

Code	Description	Colour
TRA.061	X-angle	White
TRA.062	X-angle	Grey
TRA.063	X-angle	Black

End cap

Code	Description	Colour
TRA.064	End cap	White
TRA.065	End cap	Grey
TRA.066	End cap	Black

Cover plate

Code	Description	Colour
TRA.067	Cover plate	White
TRA.068	Cover plate	Grey
TRA.069	Cover plate	Black

Track suspension parts

Code	Description	Colour
TRA.070	Ceiling bracket	White
TRA.071	Ceiling bracket	Grey
TRA.072	Ceiling bracket	Black
TRA.073	Wire suspension set 1,5 m adjustable	
TRA.074	Wire suspension set 4 m adjustable	
TRA.075	Threaded rod M6 L=1m	
TRA.076	Extension nut for threaded rod M6	
TRA.077	Tube for rod, white	
TRA.078	Nut for threaded rod M6	

TRA.079	Pendant bracket adjustable	White
TRA.080	Pendant bracket adjustable	Grey
TRA.081	Pendant bracket adjustable	Black

TRA.082	Pendant bracket	White
TRA.083	Pendant bracket	Grey
TRA.084	Pendant bracket	Black

TRA.085	Pendant coupler	White
TRA.086	Pendant coupler	Grey
TRA.087	Pendant coupler	Black

TRA.088	Ceiling bracket with cup	White
TRA.089	Ceiling bracket with cup	Black

TRA.090	Wall bracket	White
TRA.091	Wall bracket	Black

TRA.092	Suspension clamp	White
TRA.093	Suspension clamp	Black

TRA.094	Suspension hook	
---------	-----------------	--

TRA.095	Cover strip L=2m	White
TRA.096	Cover strip L=2m	Black

TRA.097	Adapter	White
TRA.098	Adapter	Black
TRA.099	Adapter	Grey

TRA.100	Locker	White
TRA.101	Locker	Black
TRA.102	Locker	Grey

TRA.103	AL-Nipple M10 Rotating, Thread 8mm	
TRA.104	AL-Nipple M10 Rotating, Thread 8mm	

TRA.105	Installation tool	
---------	-------------------	--

TRA.106	Cable clamp	
---------	-------------	--

TRA.107	Counter Nut	
---------	-------------	--

TRA.108	Power Take-off Adapter	White
TRA.109	Power Take-off Adapter	Black
TRA.110	Power Take-off Adapter	Grey

TRA.111	Adapter with logo	White
TRA.112	Adapter with logo	Black
TRA.113	Adapter with logo	Grey