

CORNER 45

Aluminium Profile

Aluminium Profiles 

- CORNER 45 aluminium profile ideal for installation in corners.
- Available with transparent, milky, milky satin or ruled cover.

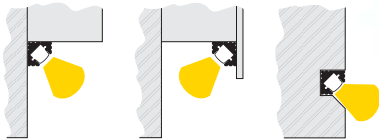
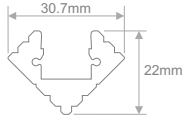

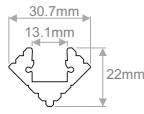





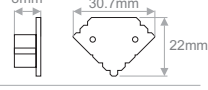

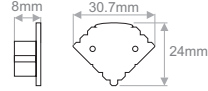

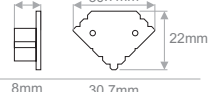

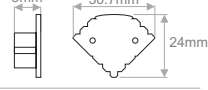



Image	Code	Description	Length	Design-Detail
	PRF.034 PRF.035	CORNER 45 alum.prof. / Anodized CORNER 45 alum.prof. / Non-Anodized	2m 2m	
	COV.023 COV.024 COV.025 COV.026	POLYCARBONATE MILKY COVER POLYCARBONATE MILKY SATIN COVER POLYCARBONATE RULED COVER POLYCARBONATE CLEAR COVER	2m 2m 2m 2m	
	COV.018 COV.017 COV.007	POLYCARBONATE CLEAR COVER POLYCARBONATE OPAL COVER PMMA FROSTED COVER	2m 2m 2m	
	CAP.086	END CAP for CORNER 45 with COV.023-024-025-026		
	CAP.087	FRONT CAP for CORNER 45 with COV.023-024-025-026		
	CAP.088	END CAP for CORNER 45 with COV.017-018		
	CAP.089	FRONT CAP for CORNER 45 with COV.017-018		
	ELA.008	STAINLESS STEEL HOLDER		